



« A French-made innovation »

# DIGITAL WINE DISPENSER



## ELEVATE, PRESERVE, AND PROTECT YOUR FINEST BOTTLES!

### PRESERVATION

Keep your wines tasting perfect for **up to 4 weeks** — say goodbye to waste!

### TEMPERATURE CONTROL

Featuring independent temperature zones for each module, from **6°C to 18°C**: red or white, your wines are always served at the ideal temperature!

### PRECISION

Set up to **3 serving doses per bottle** for optimal control over your wine service.

### FRENCH QUALITY

**Designed and assembled in Tours, France.** Each Digital wine dispenser comes with a 1-year warranty and after-sales service within 72 business hours.

## INTERACTIVE

An **intuitive touchscreen** showcases your wine selection and guides your customers. With RFID cards, they can taste independently!

## SHOWCASE YOUR WINES

**Sleek design and customizable ambient lighting** — highlight your wines and spark curiosity.

## CONNECTIVITY (OPTION)

Access stats, settings, and wine info **remotely** from your computer.

## MODULAR DESIGN

Create a custom solution tailored to your needs — **from 4 to 12 bottles**, configure your wine-by-the-glass system your way.



Modular design



Self-service ready



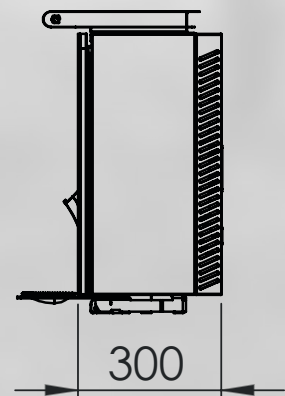
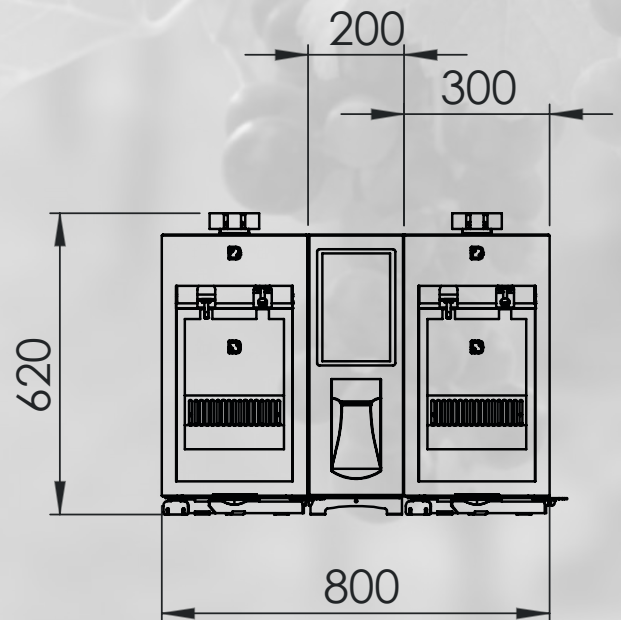
Contactless payment (RFID)



Change bottles quickly



### 8-BOTTLE DIGITAL INSTALLATION



#### Technical specifications

Installation size	W	H	D	Weight	Power supply
2 Modules	80 cm	62 cm	30 cm	55 kg	240 V - 50 Hz - 300 W
4 Modules	140 cm	62 cm	30 cm	105 kg	240 V - 50 Hz - 600 W
6 Modules	200 cm	62 cm	30 cm	155 kg	240 V - 50 Hz - 900 W

Follow us on our social media

